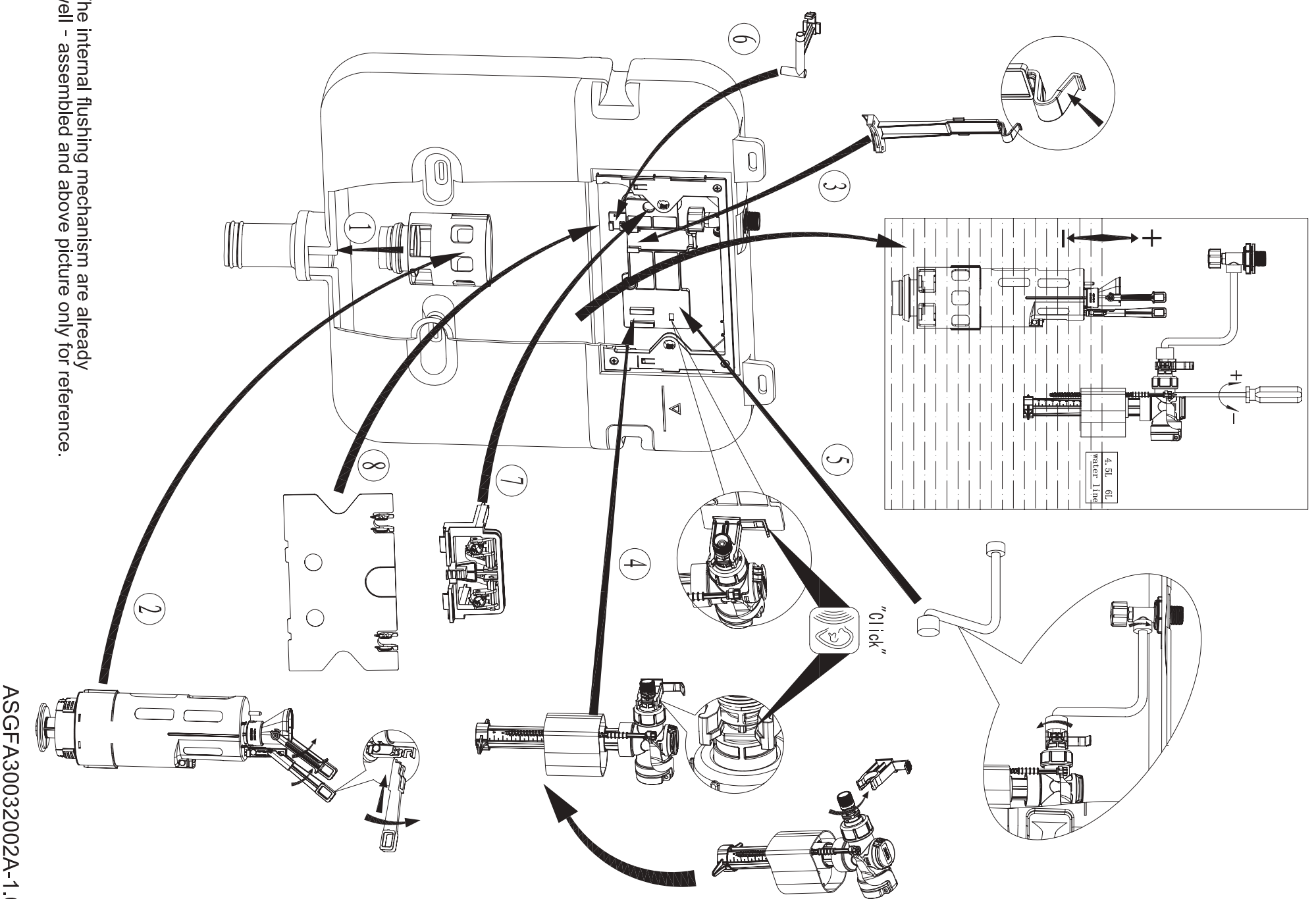
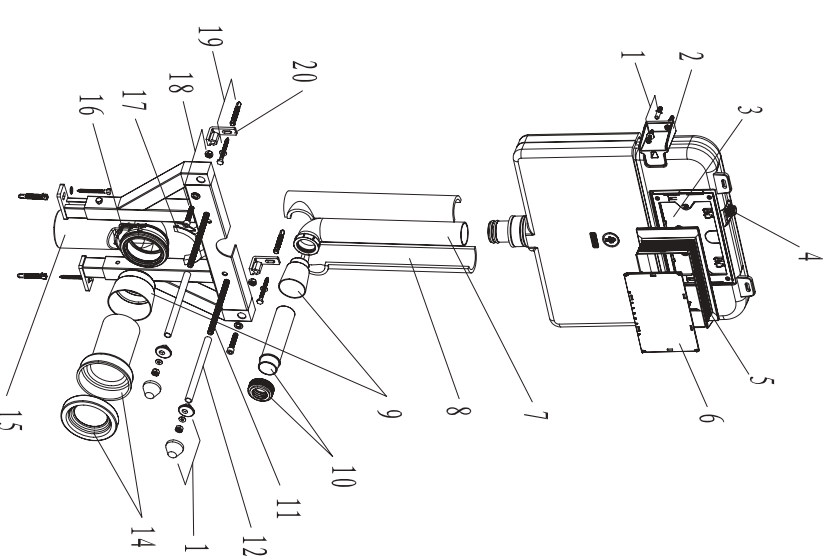


11、 Internal flushing mechanism assembly drawing



ASGFA30032002A-1.0

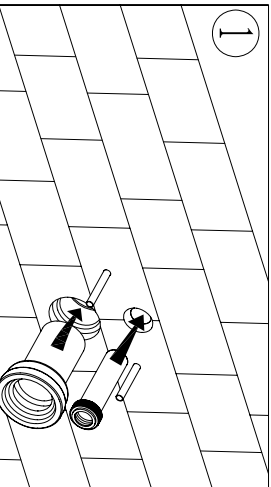
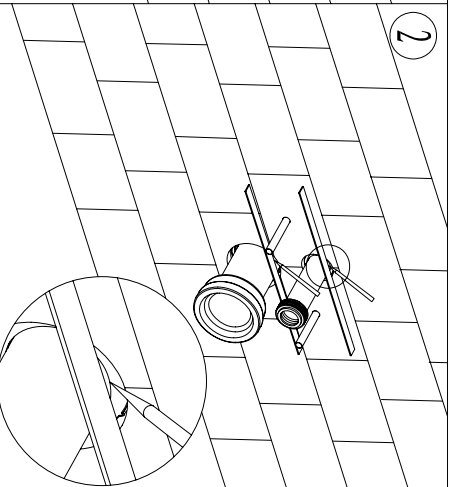
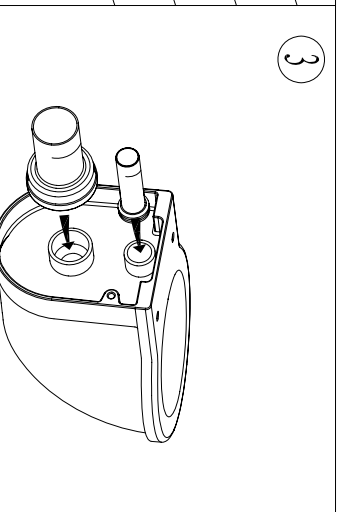
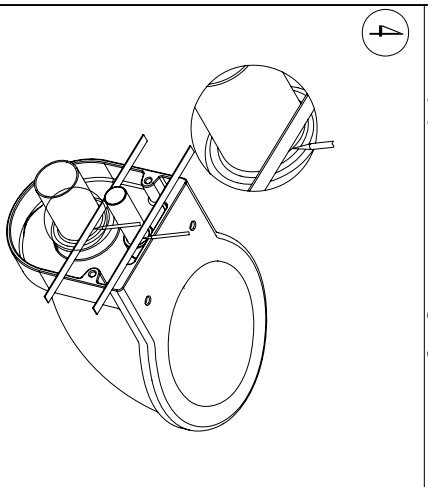
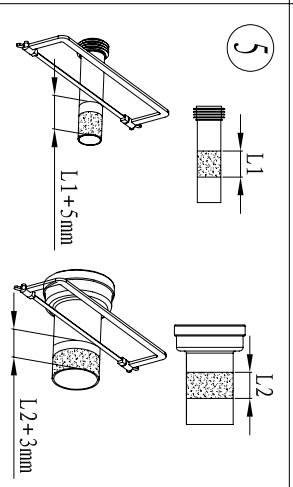
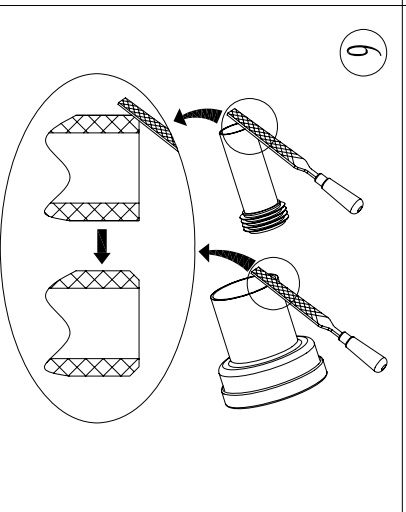
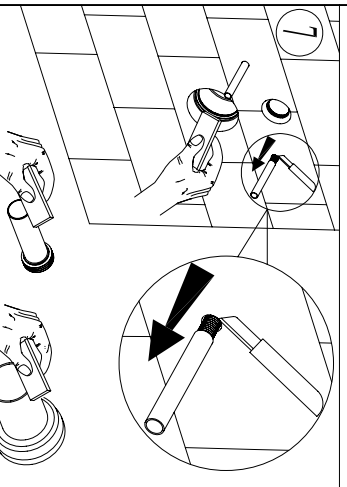
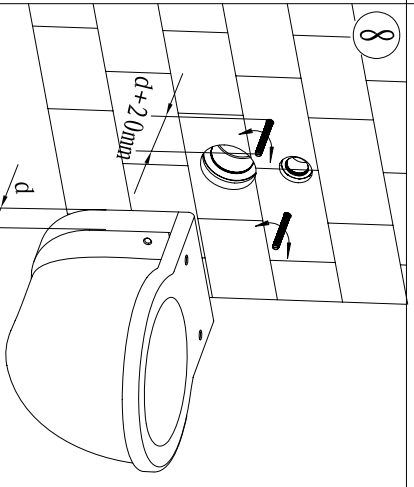
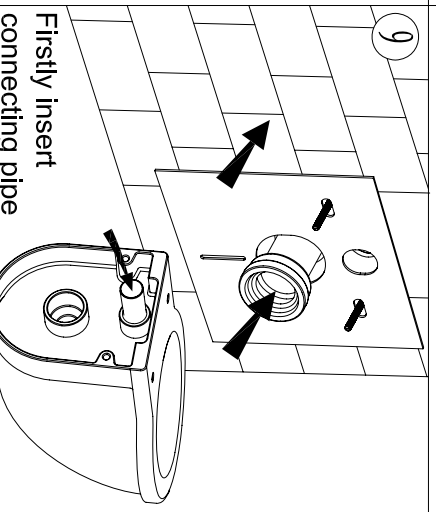
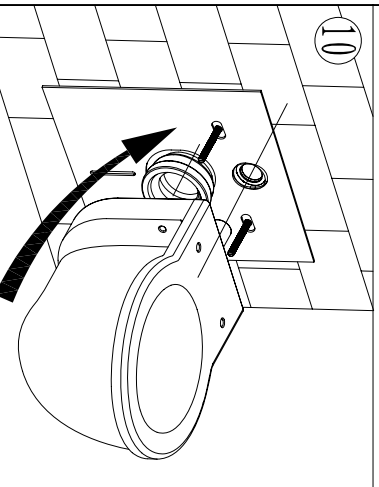
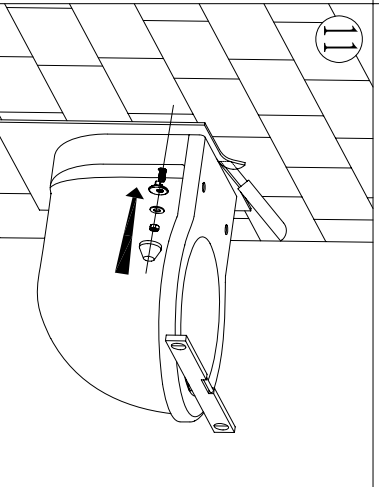
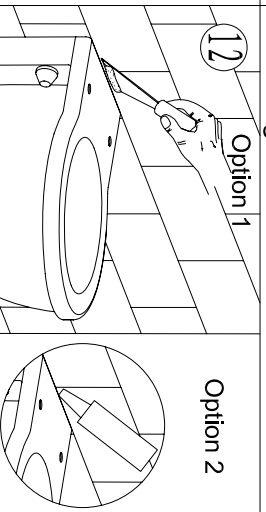
- Frame-structure
- Concealed Cistern
- Installation Manual



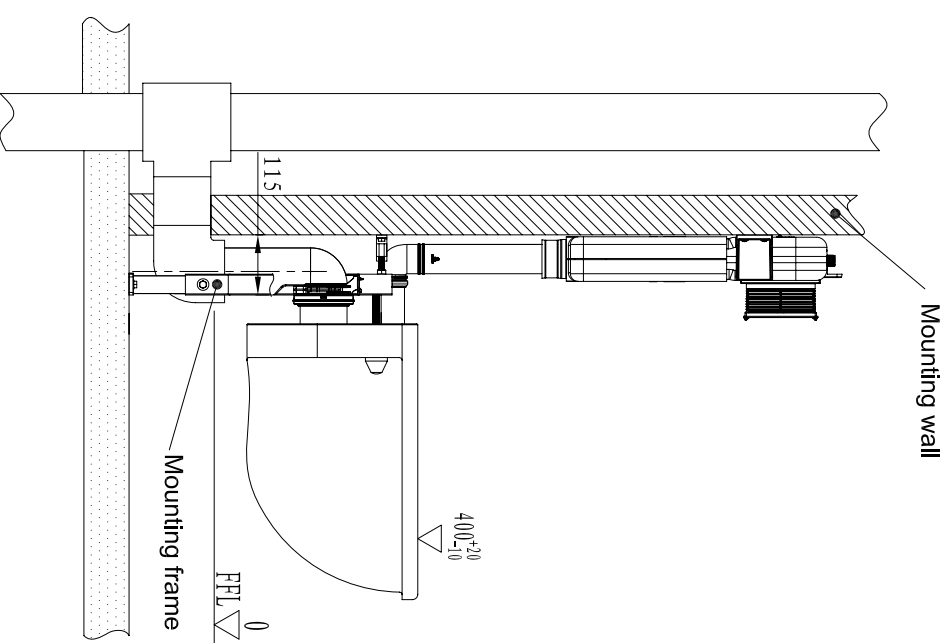
List of main installation accessories

NO.	Description	Qty	Function
1	Screws	4	Fixation of concealed cistern
2	Cistern fixing clip	2	Airproof tank and mounting of locking bracket
3	Cistern cover	1	Fill valve inlet and shut-off
4	Angle valve	1	To reserve space for installation of actuator at wall building
5	Plastic holder	1	To prevent dust and impurities into tank at wall building
6	Plastic holder cover	1	Water inlet to ceramic bowl
7	Connecting tube	1	To protect connecting tube
8	Tube cover	2	To reserve space for straight tube and connecting pipe
9	Piping stopper	2	To joint cistern into ceramic bowl (cutting in accordance with wall thickness)
10	Straight tube	1	To joint cistern into ceramic bowl (cutting in accordance with wall thickness)
11	Connecting screw	2	To mount ceramic bowl
12	Protective cover	2	To protect connecting screw at wall building
13	Ceramic bowl fixing accessories	2	To mount ceramic bowl
14	Connecting pipe	1	To joint cistern into ceramic bowl (cutting in accordance with wall thickness)
15	Draining syphon	1	To discharge liquid and solid waste from ceramic bowl.
16	Mounting bracket	1	To mount draining syphon
17	Draining syphon holder	1	Mounting of frame and locking into wall bracket
18	Socket head screw	2	Mounting of frame and wall bracket
19	Expansion screw	4	Mounting of frame and wall bracket
20	Wall bracket	2	Fixation of frame

10、Mounting of ceramic bowl

<p>1</p>  <p>Fully insert the straight tube into cistern flushing outlet and connecting pipe into discharging outlet.</p>	<p>2</p>  <p>Draw the lines as above picture.</p>	<p>3</p>  <p>Apply lubricant on rubber washers of straight tube and connecting pipe, then insert into ceramic holes.</p>
<p>4</p>  <p>Draw the lines as above picture.</p>	<p>5</p>  <p>As per drawing, L1 is distance between the two lines on straight tube. L2 is distance between the two lines on connecting pipe. Cut the straight tube and connecting pipe as per above drawing.</p>	<p>6</p>  <p>Polishing the cutting surface to get chamfer angle as per drawing and deburring.</p>
<p>7</p>  <p>Cut the protection sleeve outside of the wall with a knife. Apply lubricat on joint surface of straight tube and connecting pipe.</p>	<p>8</p>  <p>Adjust length of connecting bolt to be $d+20\text{mm}$.</p>	<p>9</p>  <p>Firstly insert connecting pipe into discharging outlet and straight tube into ceramic hole.</p>
<p>10</p>  <p>Mounting the ceramic bowl.</p>	<p>11</p>  <p>Screw the bowl and remove the extra pad.</p>	<p>12</p>  <p>Fill the gap with white cement or glass cement.</p>

Option 1



Important instruction:

1. Please adhere to the following installation instructions. We shall not be responsible for failures and loss that are contributed to improper installation.
2. Please confirm the fixation location of cistern prior to installation and obtain the finished floor surface. Draw FEL on installation wall and follow it as baseline from ZERO (0) level.
3. The instructions have been composed based in the latest product specifications. We reserve the right to make modifications to the packaging and specifications without providing prior notification.

NOTES:

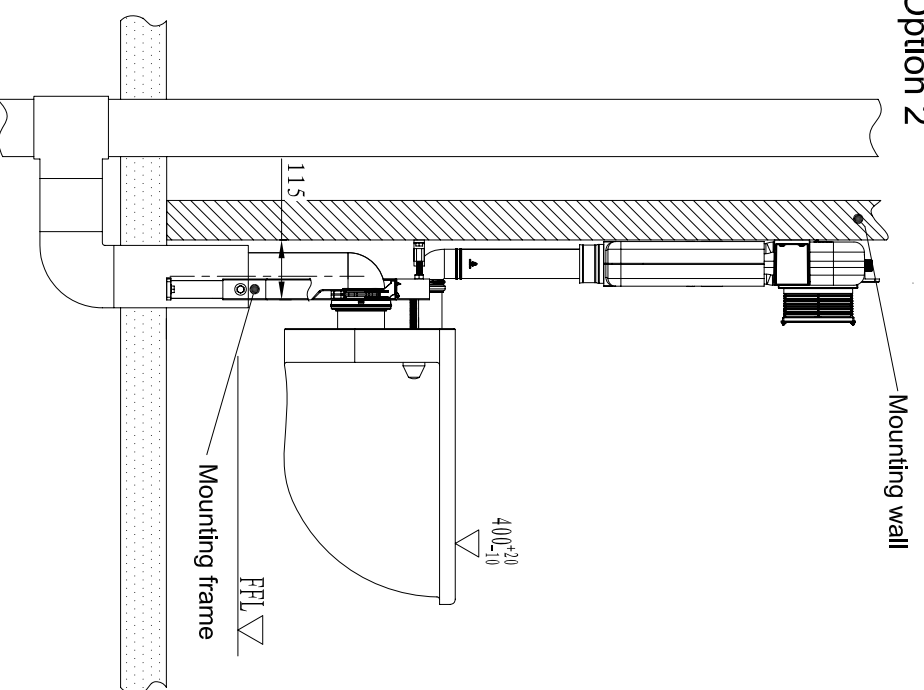
1. Mount before bricks building.
2. All size unit in MM.
3. Follow the material product, should there is an unconformity with drawing.

⚠ FFL ↓ = FINISHED FLOOR

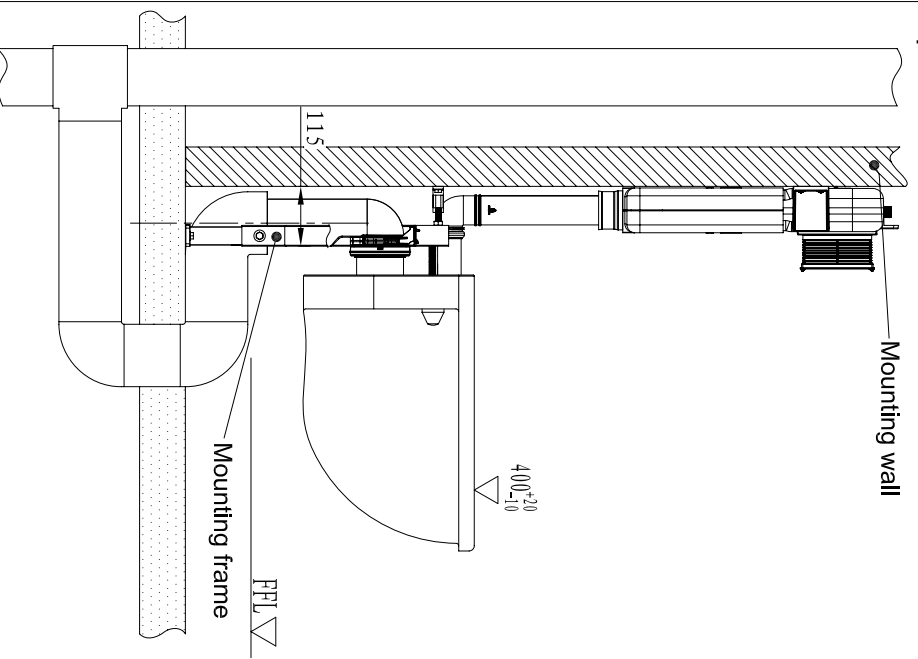
1、 Drainage System Layout

Drawing 1 to 3 are three different installation systems for drain pipe. Customer should confirm whichever installation system according to drainage outlet position. If drainage outlet does not fall within the three systems, customer should follow one of three drainage system layout to correspond installation of our concealed cistern.

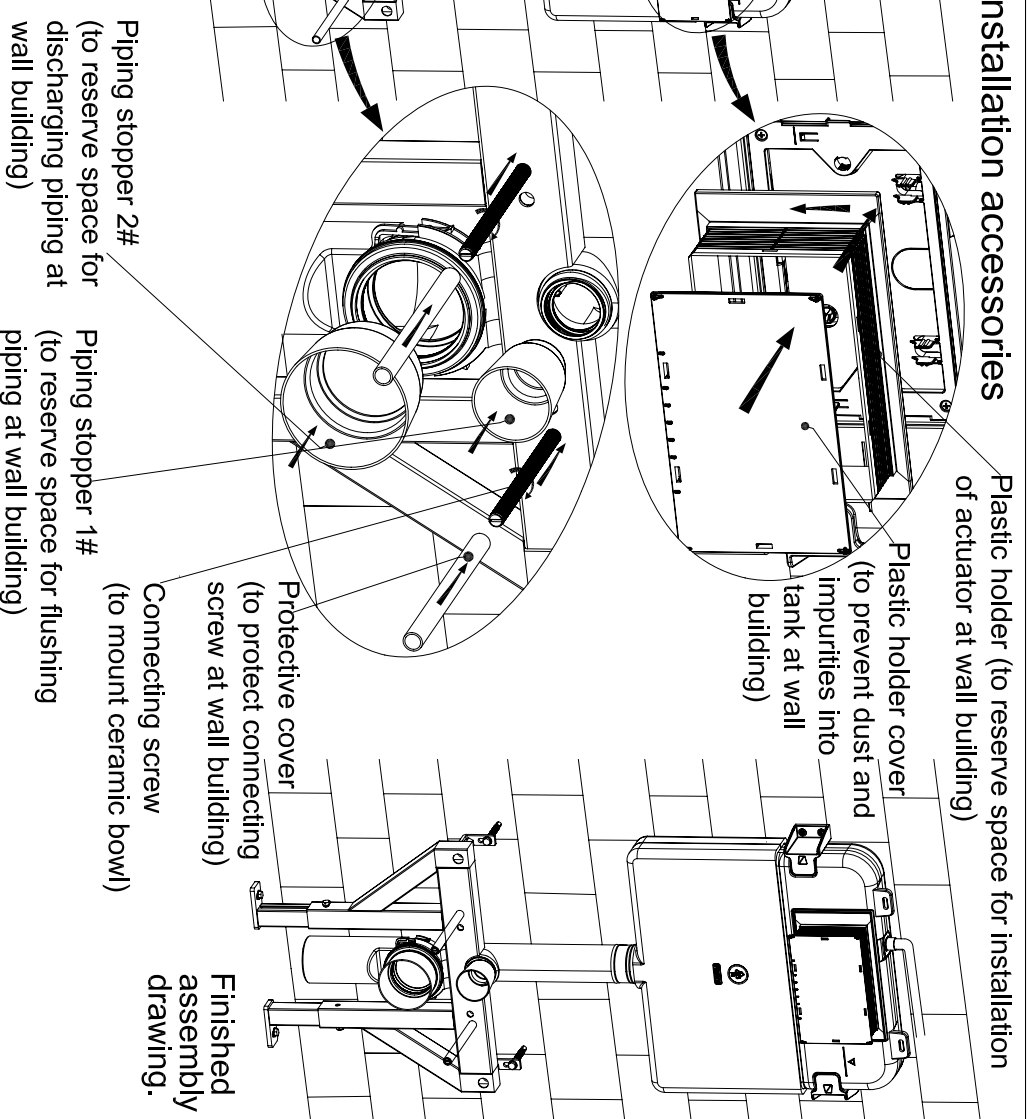
Option 2



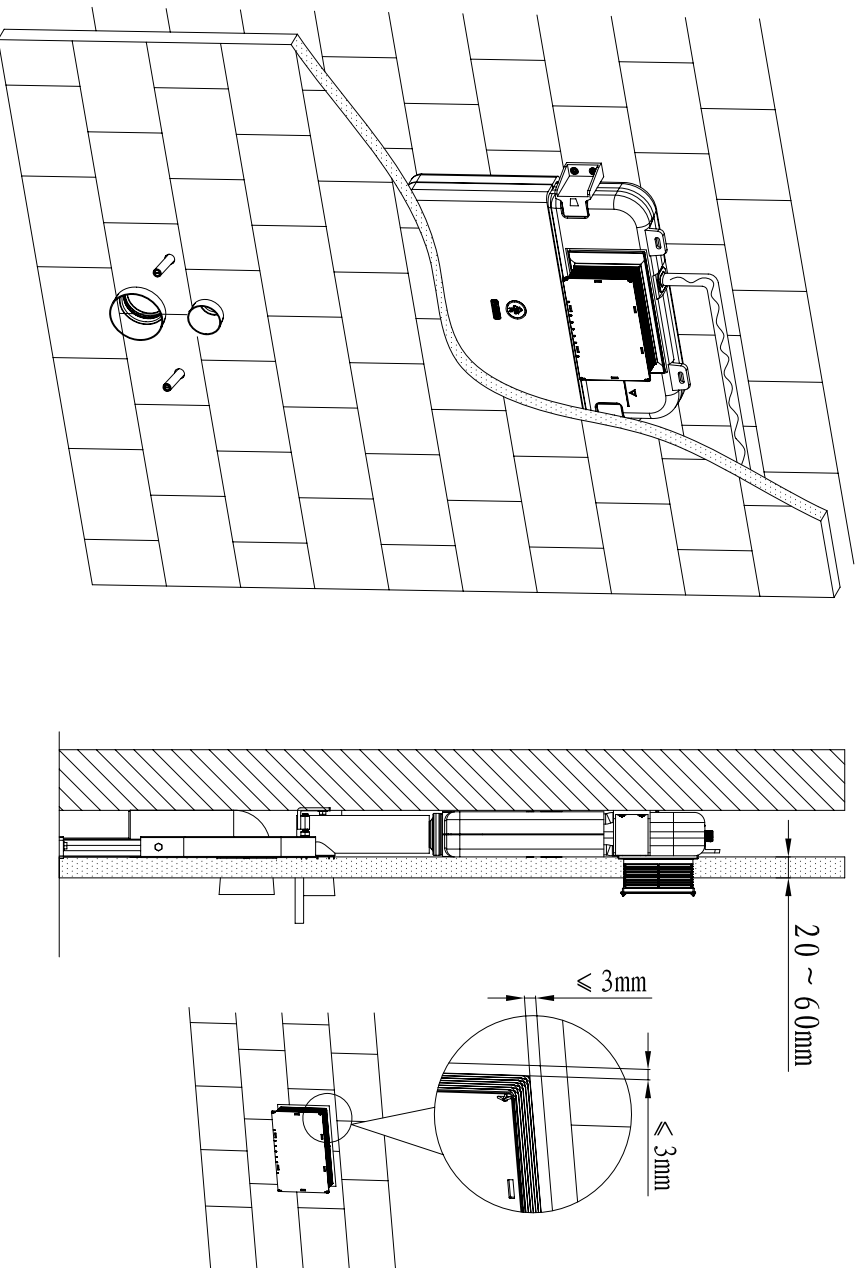
Option 3



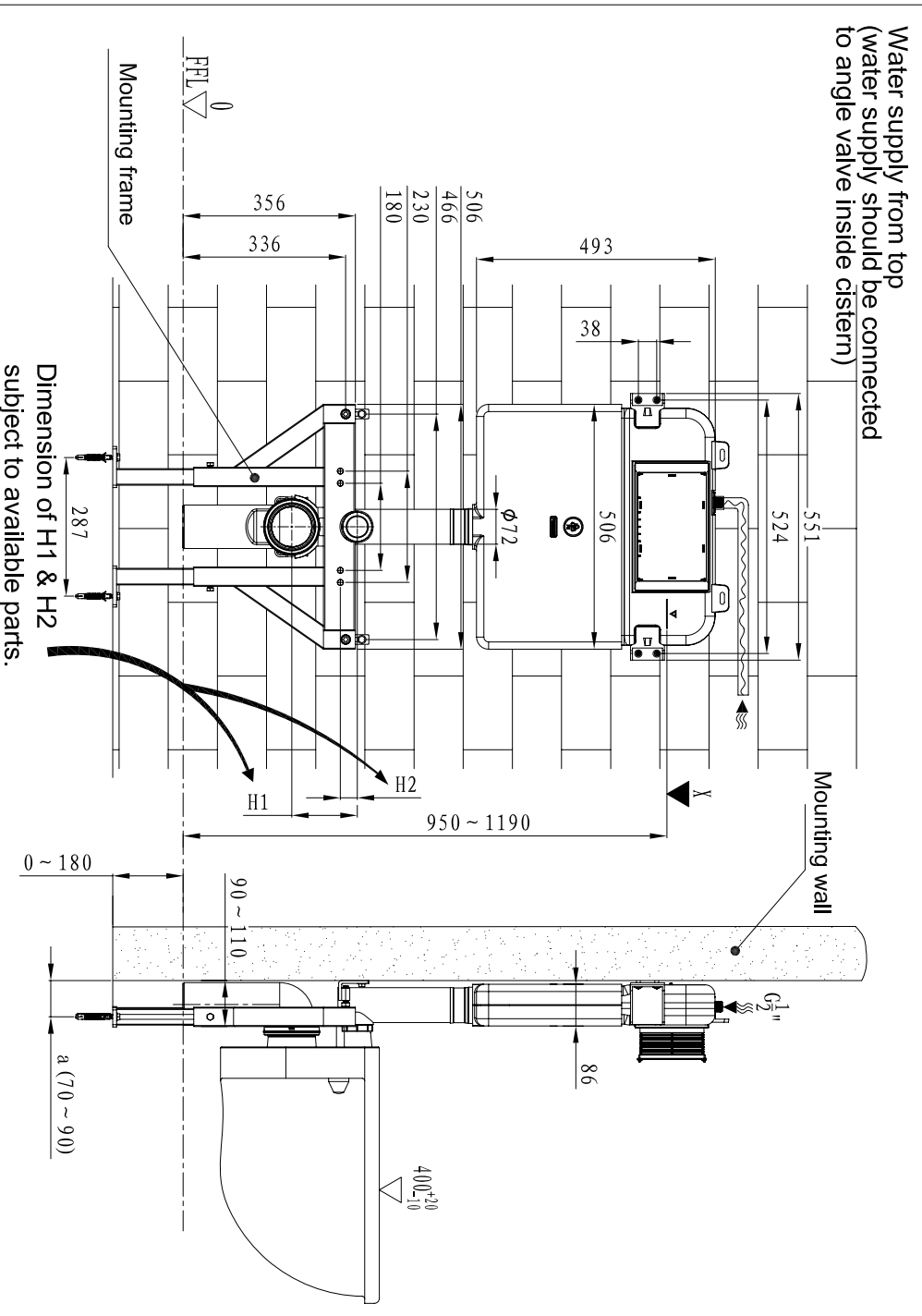
8、 Mounting of installation accessories



9、 Wall thickness range 20~60mm (from outer exterior of cistern foam cover to finished decorated surface)

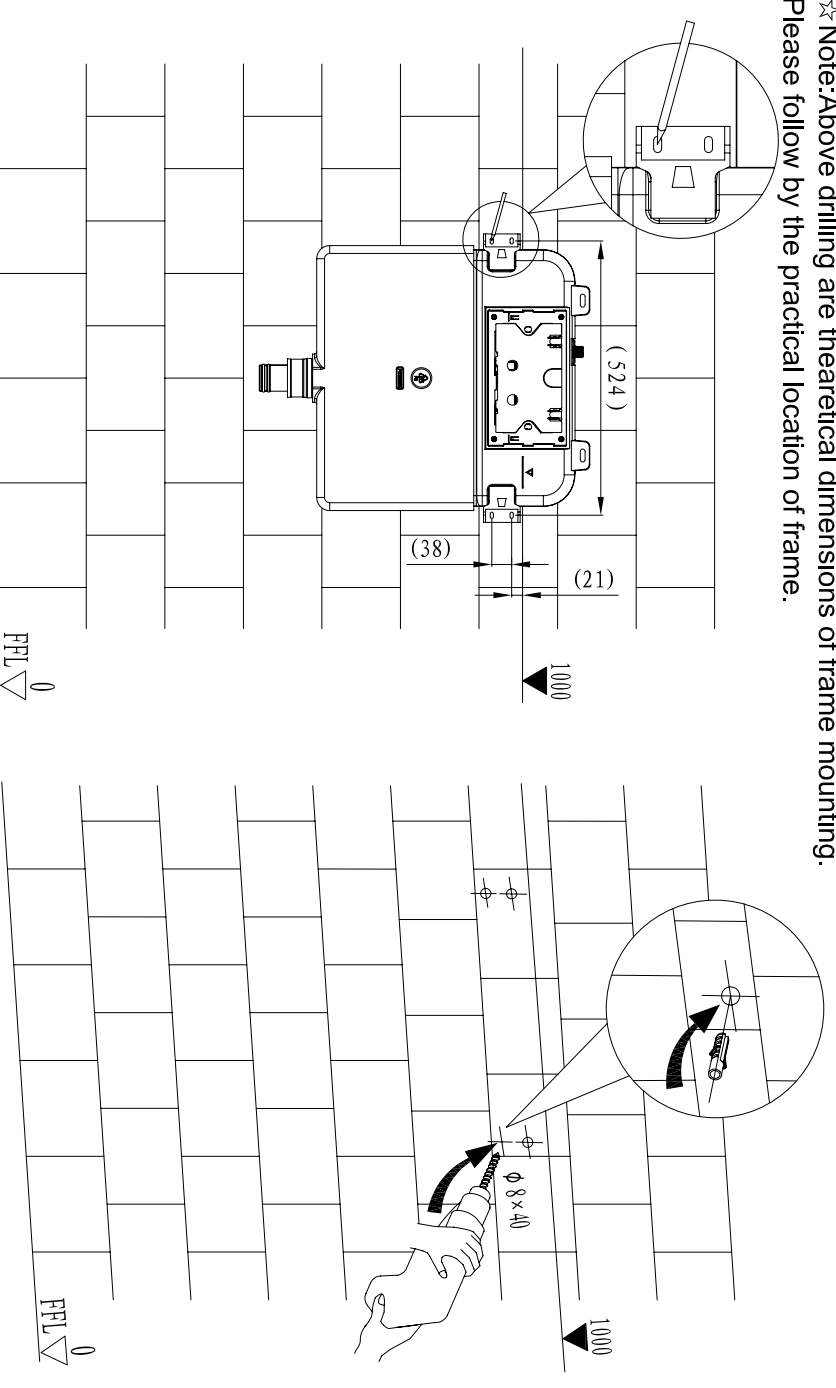


2、 General dimension and water supply drawing

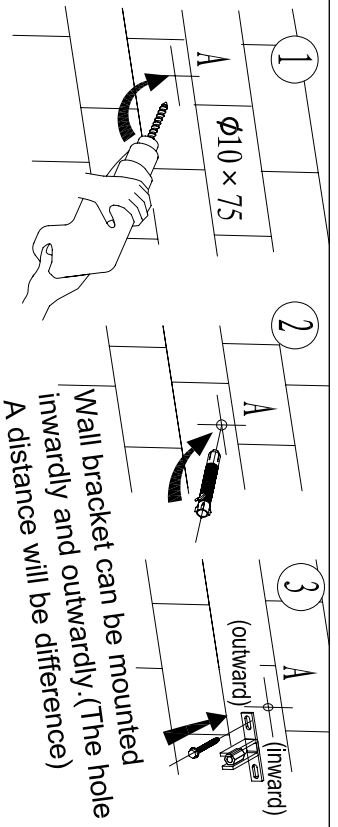
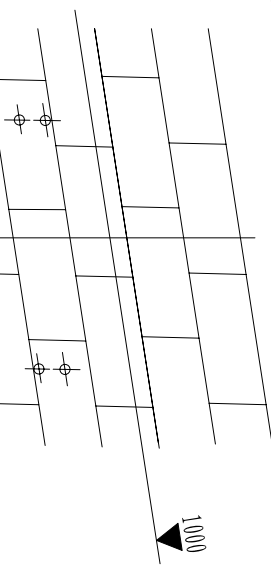


3、 Drill the holes and insert the expansion bolt

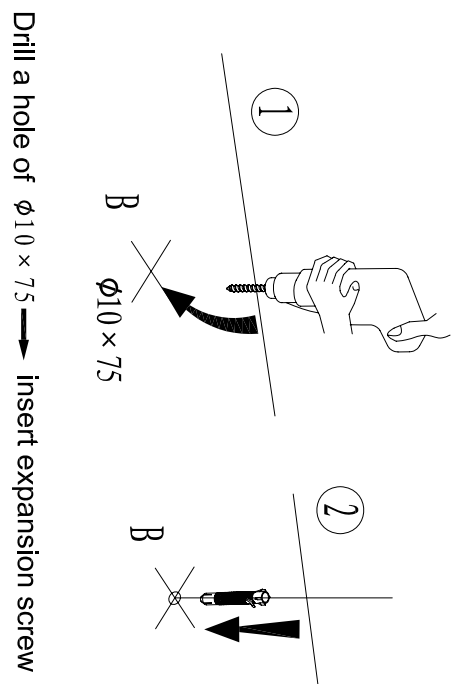
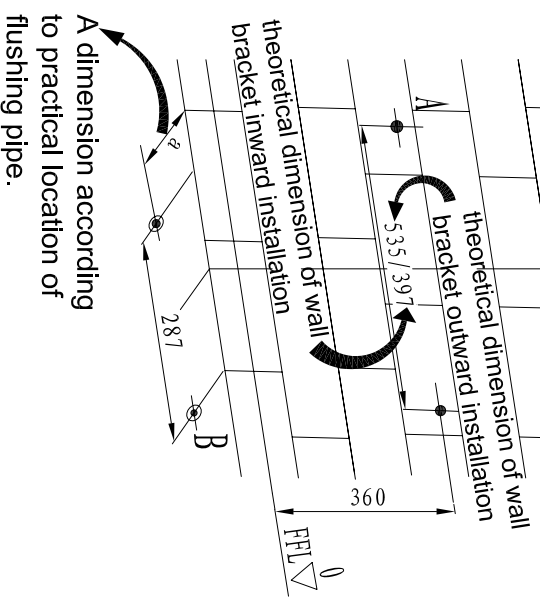
Drill the holes for tank and insert the expansion bolts
 ☆ Note: Above drilling are theoretical dimensions of frame mounting.
 Please follow by the practical location of frame.



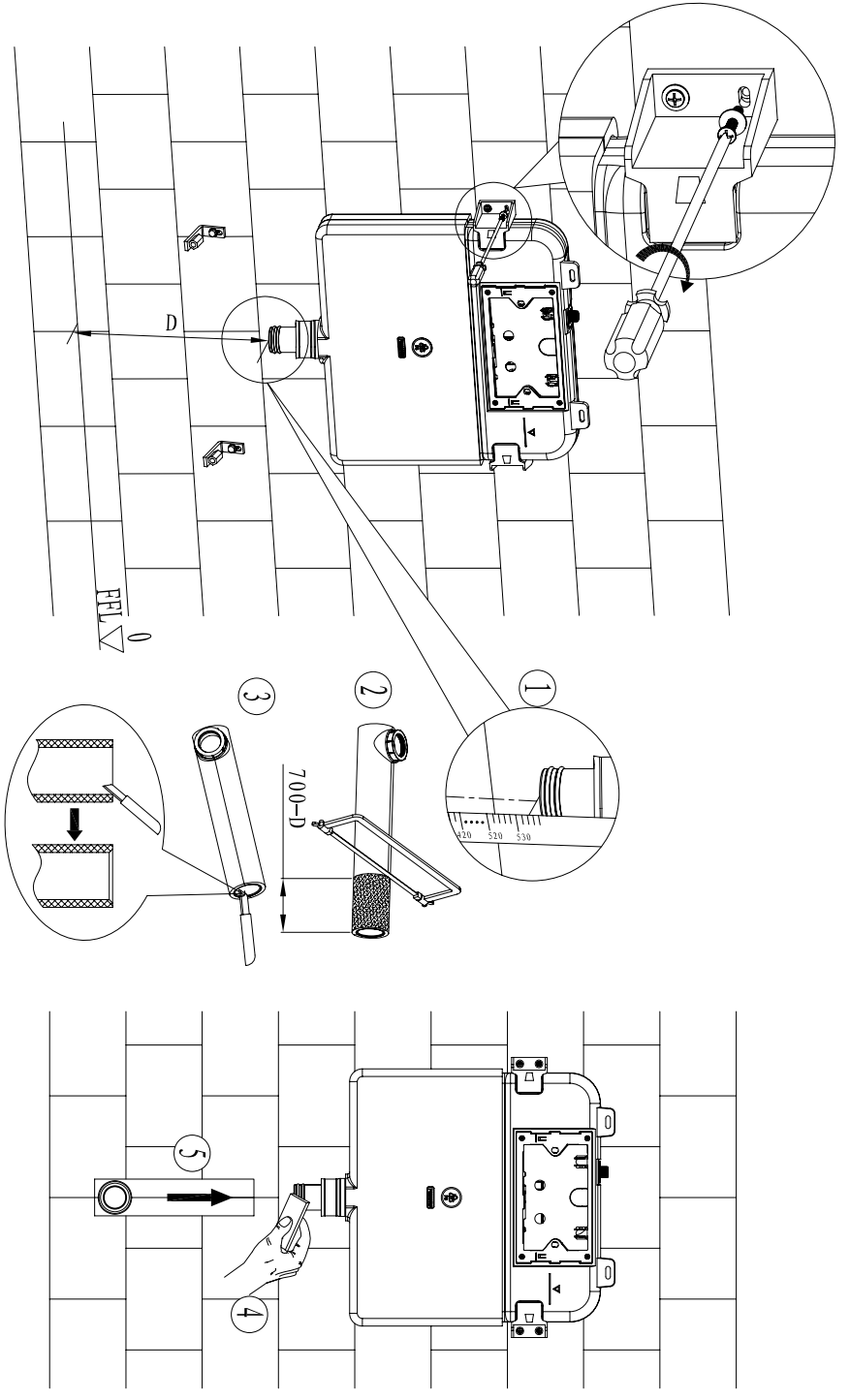
Drill the holes for frame and insert the expansion bolts.



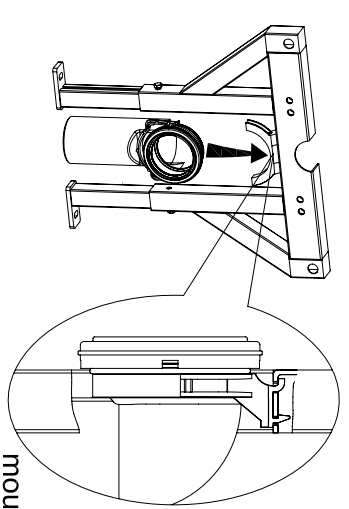
Drill a hole of $\phi 10 \times 75$ → insert expansion screw → fix the wall bracket into wall



4、 Install the tank and connecting pipe

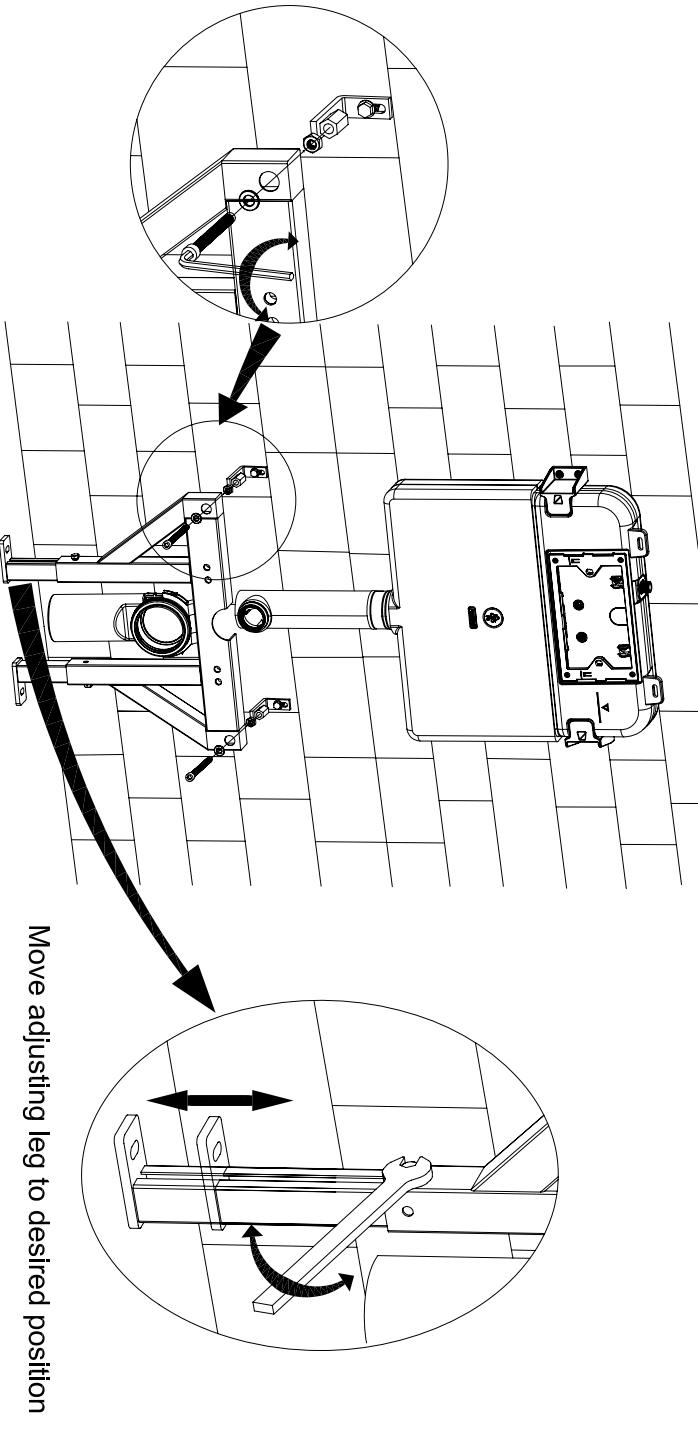


5、 Installation of draining siphon



"Click" "Click"

6、 Adjustment of socket head screw and floor fixing-accessories



7、 Adjust the frame, then fix it, and install water supply.

